

BD 10/8 M6 0,21kW (251330261)

GENERAL DATA



FAN DOUBLE INLET

MANUFACTURING FEATURES:

- Galvanised steel sheet housing.
- Polyamide impeller reinforced with fibreglass in models 7/7, 9/9, 10/10 and 12/12. The impeller of the rest of models are made of galvanised steel sheet.
- Double inlet forward curved impeller in all models.
- Supplied with mounting feet (included in price). Except 15/15 which is a cubic model.
- Exclusive system Casals fixing motor and impeller fan by flexible arms silent blocks to avoid any vibration. Arms in compliance with ROHS regulations 2002/95 / EC (Restriction of Hazardous Substances in electrical and electronic equipment)
- Closed motors specially designed Casals: extruded aluminum housing, all protected inside the terminal box on the motor IP 65 protection and motor with IP54 protection and Class F insulation standard voltages: 230V 50Hz in single phase and 230/400V 50Hz three-phase.
- Single phase motors with controllable voltage speed. Three phase motors controllable using a frequency speed controller

APPLICATIONS:

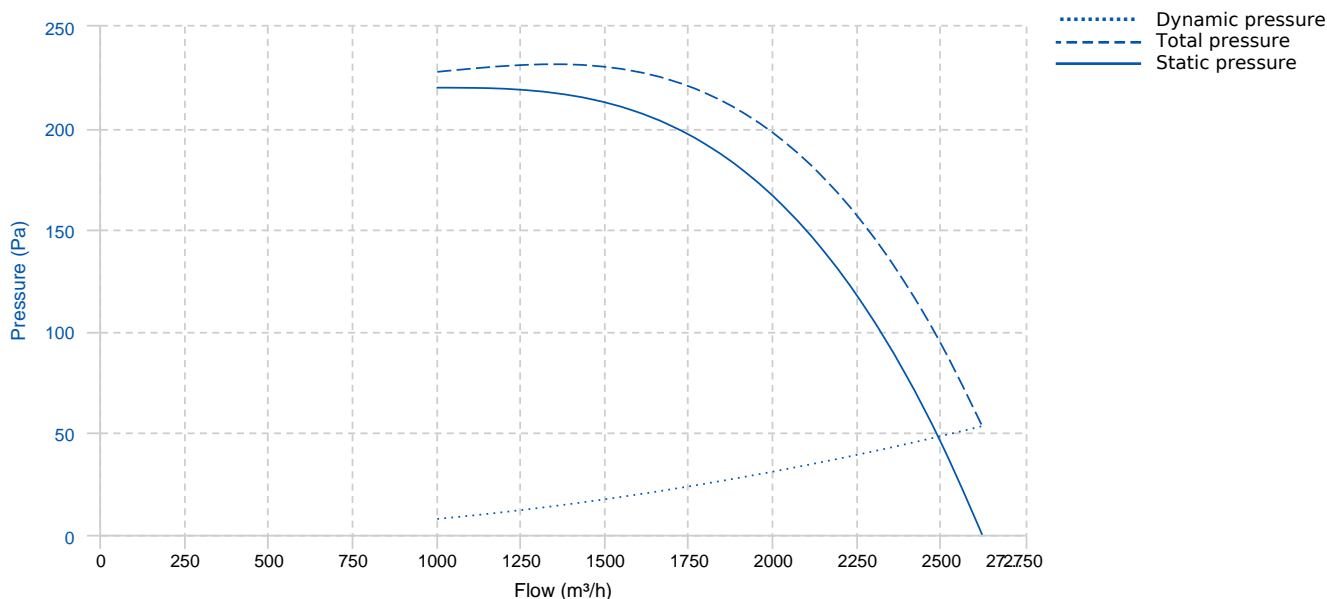
Designed for assembly in equipment:

- Ventilation boxes and air handling units.
- Centrifugal heaters.
- Industrial and professional kitchen hoods. Use in supply or extraction with prior fat filtering.
- Maximum working temperature: 50°C for single phase motors and 60°C for three phase motors.

UNDER REQUEST

- Impeller made of galvanized steel sheet.
- MBI assembled

PERFORMANCE CURVE

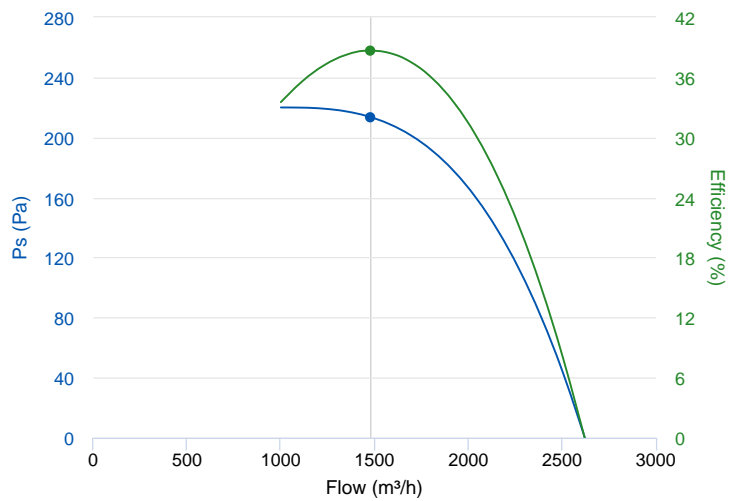


TECHNICAL DATA

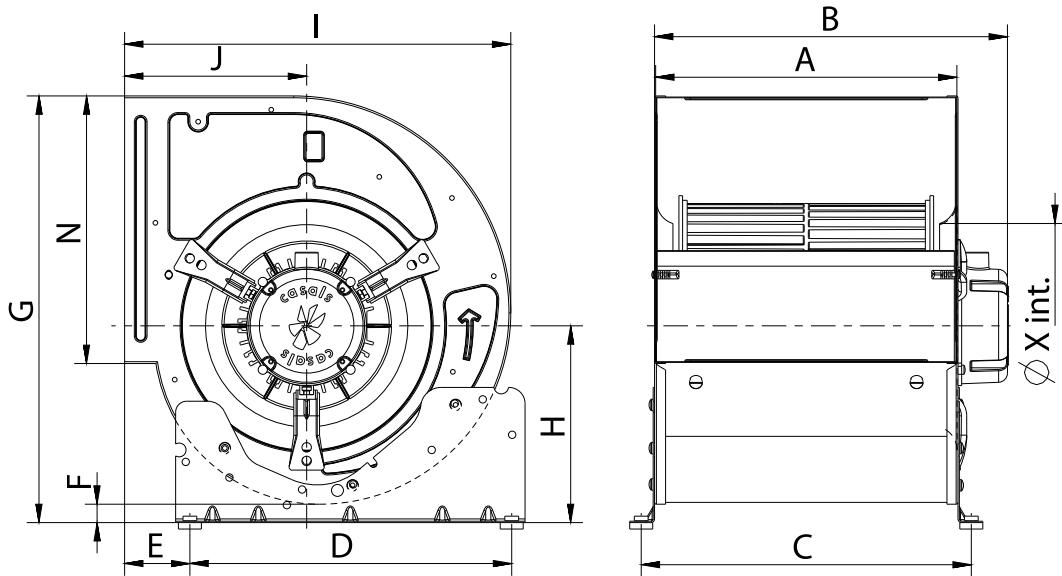
Fan							
RPM	945	Approx. weight	17 kg	Max. Flow	2630 m³/h		
Motor							
Power	0,21 kW	RPM	945	Capacitor	9µF 400V	I max. (230V)	2,1 A
Size	STC80	Approx. weight	5 kg	Efficiency (%)	68 %	FP	0.99

ERP DATA

Fan data sheet		
Fan type	Centrifugal fan radial or forward blades	
Installation category	A: Outlet and Inlet free discharge	
Efficiency category	Static	
The fan has to be installed with VF	No	
Motor power (kW)	0.21	
	Fan values	ERP Requirements 2015
Max. efficiency (%)	38.67	33.56
Efficiency grade (N)	49.11	44
Pabs (kW)	0.223	
Flow (m³/h)	1481.15	
Static pressure (Pa)	213.49	
Speed (m/s)	945	
Specific ratio	1.00	



DIMENSIONS

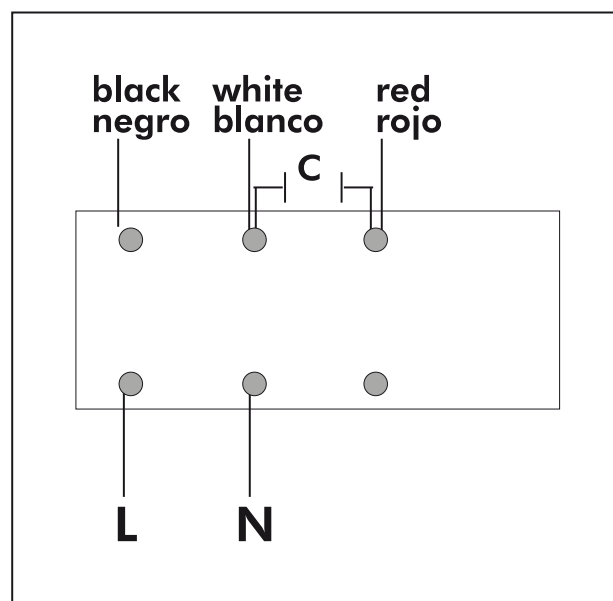


Dimensions (mm)

A	265	B màx	333	C	294	D	350	E	70,5
F	20	G	464	H	214	I	420	J	198
N	291	X	220						

WIRING DIAGRAM

SINGLE PHASE MOTOR MOTOR MONOFÁSICO



ACCESSORIES



**MANUAL SINGLE PHASE SPEED CONTROLLER
REG 3A**
REF: 960710030



**SAFETY SWITCH
INT 25 3P A**
REF: INT253PA



**OUTLET PROTECTION GUARD FOR FANS
RI 10/8**
REF: A-960000405



**PROTECTION GRID FOR BD FANS, MOTOR SIDE
RM 10 (T80)**
REF: A-960000804

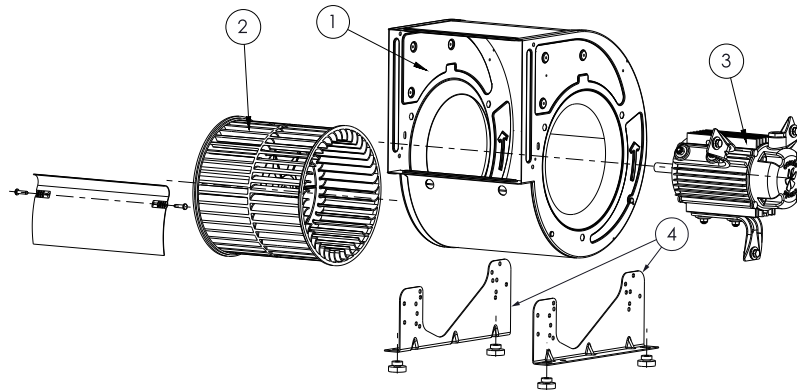


**INLET PROTECTION GUARD FOR CENTRIFUGAL
FANS
RA 10**
REF: 960650100



**OUTLET FLANGE FOR BD AND BV FANS
MBI 10/8**
REF: A-251331691

SPARE PARTS



	Code	Model	Qty
1	R-251339421	CASING BD10/8	x1
2	R-251339381	IMPELLER BD 10/8	x1
3	251339478	MOTOR+SUPPORTS BD 10/10 M6 0,21kW	x1
3	720331234M015	MOTOR 0,21kW 6P 230V 50Hz MC T80	x1
4	960520100	MOUNTING SUPPORT S 10	x1